

Performance & Dimensional Data

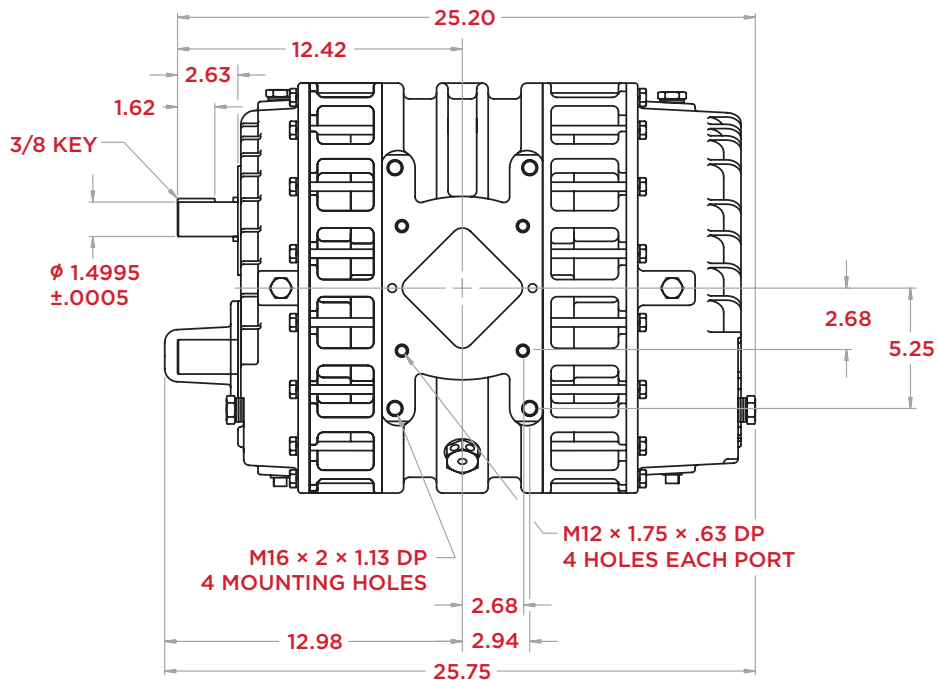
D807 PERFORMANCE SPECIFICATIONS

PRESSURE PSI	1800 RPM		2000 RPM		2200 RPM		2400 RPM		2600 RPM		2800 RPM		3000 RPM	
	CFM	HP	CFM	HP	CFM	HP	CFM	HP	CFM	HP	CFM	HP	CFM	HP
2	578	8	650	9	722	9	794	10	864	11	936	12	1010	13
4	548	13	620	15	692	16	764	17	838	20	910	21	983	23
6	525	19	597	21	669	23	741	25	812	28	884	30	956	32
8	506	24	578	27	650	30	722	32	794	36	865	39	937	42
10	489	30	561	34	633	37	705	40	776	44	846	47	918	51
12	473	36	545	40	618	44	690	48	760	52	831	56	903	61
14	459	42	531	46	603	51	676	56	744	60	816	65	888	71
16	446	47	518	52	590	58	662	63	730	69	803	74	875	80
18	435	53	508	59	580	65	652	71	716	77	790	83	862	89
20	424	59	496	65	568	72	640	78	706	85	778	92	850	98

VACUUM IN HG	1800 RPM		2000 RPM		2200 RPM		2400 RPM		2600 RPM		2800 RPM		3000 RPM	
	CFM	HP	CFM	HP	CFM	HP	CFM	HP	CFM	HP	CFM	HP	CFM	HP
2	600	5	693	5	736	6	812	7	884	7	956	8	1030	9
4	573	8	656	8	714	10	788	11	852	11	934	12	1006	13
6	545	10	618	11	691	13	764	14	820	15	912	16	982	17
8	527	13	600	14	673	17	742	18	809	19	891	21	962	22
10	509	16	582	17	654	20	720	21	798	23	870	25	942	27
12	482	19	559	21	632	23	697	25	775	27	847	30	919	32
14	454	21	536	24	609	26	673	28	752	31	824	34	896	36
16	436	22	515	27	571	29	655	31	732	34	803	38	875	40
17	418	25	494	29	538	31	636	34	712	37	782	41	854	43

Performances based on inlet air at standard temperature of 68°F, and ambient pressure of 14.7 psia and 36% relative humidity. Dimensions shown in inches.

D807



D907 PERFORMANCE SPECIFICATIONS

PRESSURE PSI	1800 RPM		2000 RPM		2200 RPM		2400 RPM		2600 RPM		2800 RPM		3000 RPM	
	CFM	HP	CFM	HP	CFM	HP	CFM	HP	CFM	HP	CFM	HP	CFM	HP
2	733	9	826	10	918	11	1011	12	1104	13	1197	14	1290	15
4	690	17	783	18	876	20	969	22	1062	24	1155	26	1248	28
6	658	24	751	26	843	29	936	31	1029	34	1122	37	1215	40
8	630	31	723	35	816	38	909	42	1002	46	1095	50	1188	54
10	606	38	699	43	792	47	885	51	978	56	1071	61	1164	66
12	584	46	677	51	770	56	863	61	956	66	1049	71	1142	76
14	564	53	657	59	750	65	843	71	936	77	1029	84	1122	91
16	546	60	638	67	734	74	829	81	923	88	1017	96	1111	104

VACUUM IN HG	1800 RPM		2000 RPM		2200 RPM		2400 RPM		2600 RPM		2800 RPM		3000 RPM	
	CFM	HP	CFM	HP	CFM	HP	CFM	HP	CFM	HP	CFM	HP	CFM	HP
2	760	6	855	7	945	8	1040	8	1133	9	1226	9	1319	10
4	730	10	823	11	975	12	1010	13	1103	14	1196	14	1289	15
6	700	13	790	14	885	15	980	17	1073	19	1166	19	1259	20
8	670	17	763	18	853	20	950	22	1043	24	1136	24	1229	25
10	640	20	735	22	830	24	920	27	1013	29	1106	29	1199	30
12	600	24	705	26	800	28	890	32	983	34	1076	34	1169	35
14	560	28	675	30	770	33	860	36	953	39	1046	39	1139	40
16	544	31	648	33	740	37	833	40	926	44	1019	44	1112	45
17	527	33	620	36	710	40	805	44	900	49	995	49	1090	50

Performances based on inlet air at standard temperature of 68°F, and ambient pressure of 14.7 psia and 36% relative humidity. Dimensions shown in inches.

D907

