

# Gardner Denver®

5 HP | OIL-LUBRICATED PISTON COMPRESSOR

## GD70



The GD70 is an oil lubricated piston compressor for pressure off-loading of bulk liquids. This two-cylinder, single stage compressor is ideal for quickly off-loading your liquid bulk materials ranging from solvents to resins.

### GD70

Power	5 HP
Max PSIG	40
Max RPM	1500
Max Flow	40 CFM
Max BHP	5.0
Sump Capacity	1.27 qts.
Weight*	78 lbs.

\*Weight includes filter



### Features & Benefits

- Piston Air Compressor designed for use in the Liquid Bulk Tank market
- Lightweight and narrow construction that aids in installation where frame rail space is limited
- Built-to-last cast iron construction
- Reed valve design

### Accessories

Standard accessories supplied with the GD70:

- Relief valve
- Check valve
- Lubricant
- Air Filter

A drive flange is available as an optional accessory.

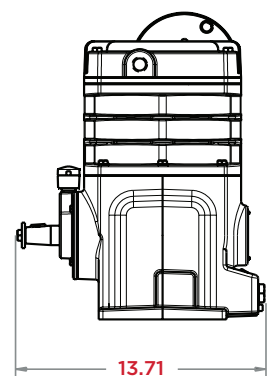
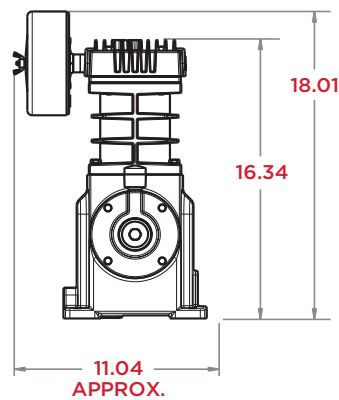
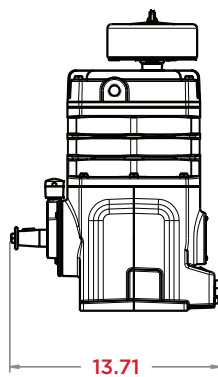
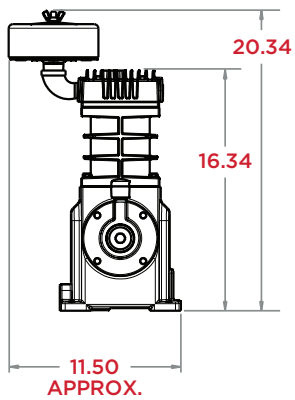


## GD70 PERFORMANCE

SPEED RPM	25 PSI		30 PSI		36 PSI		40 PSI	
	CFM	HP	CFM	HP	CFM	HP	CFM	HP
500	11.9	1.4	11.7	1.5	11.5	1.6	11.3	1.6
800	18.6	2.6	18.3	2.6	18.0	2.7	17.8	2.8
1000	22.9	3.3	22.6	3.4	22.2	3.5	22.0	3.6
1200	27.4	4.1	27.0	4.2	26.6	4.3	26.3	4.4
1350	30.6	4.6	30.3	4.7	29.8	4.9	29.5	5.0
1500	34.8	5.2	33.5	5.3	33.3	5.5	32.7	5.6

## GD70 Dimensions

in inches/mm



The leader in every market we serve  
by continuously improving all business processes  
with a focus on innovation and velocity

**Gardner**  

---

**Denver**<sup>®</sup>

**Gardner Denver, Inc.**

1800 Gardner Expressway  
Quincy, IL 62305  
[www.gardnerdenver.com](http://www.gardnerdenver.com)



©2023 Gardner Denver, Inc. Printed in U.S.A.  
GDT-GD70 2nd Ed. 11/23

 Please recycle after use.